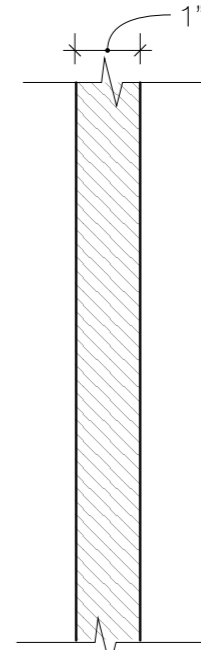
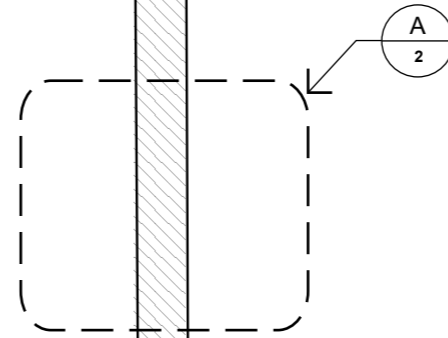
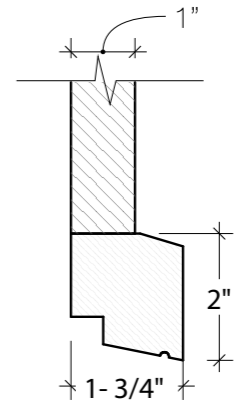
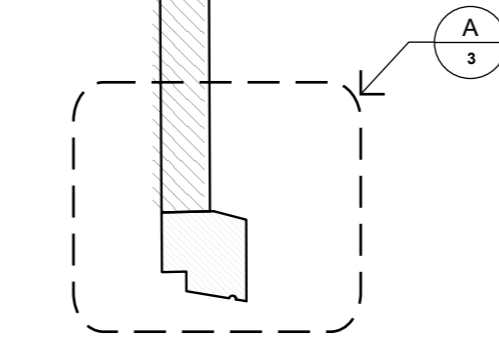


**A**  
1  
1" x 7 - 1/4" Top W/ Imperial  
Rake Crown & Base Cap  
*South Shore*



**A**  
2  
1" x 3 - 1/2" Sides  
*South Shore*



**A**  
3  
Historic Sill Bottom  
*South Shore*

**A**  
Side Elevation  
*South Shore*

# South Shore Profile

Executive Architectural Millwork

**Executive Architectural Millwork**  
1 Comac Loop #7  
Ronkonkoma, NY 11779  
631-234-1090  
eamillwork@gmail.com  
eamillwork.net