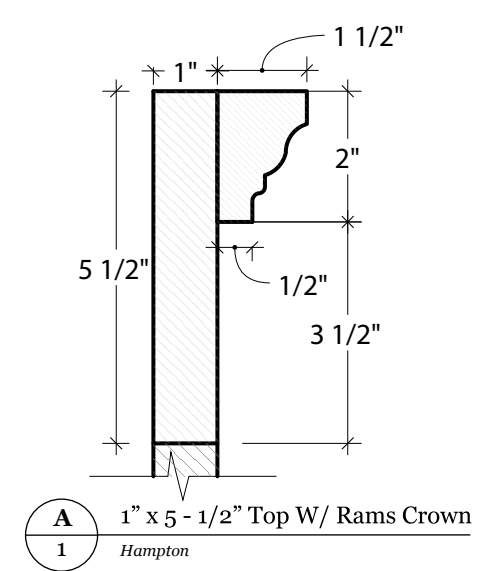
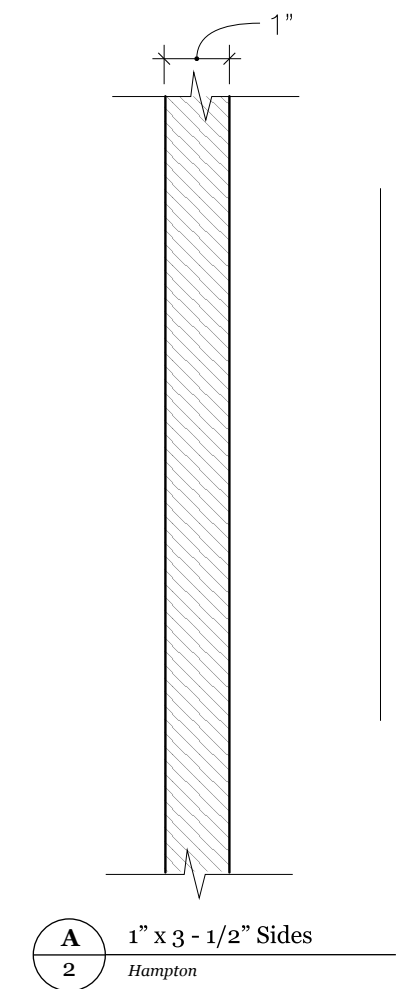


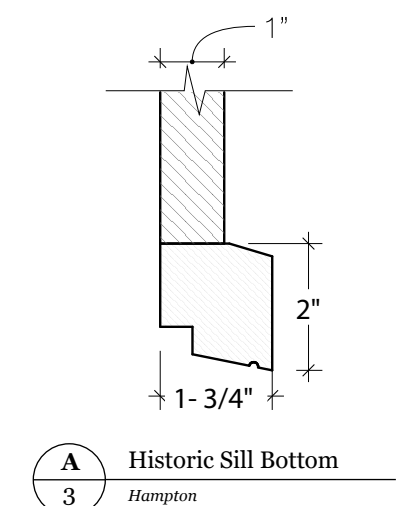
A Side Elevation
Hampton



A 1" x 5 - 1/2" Top W/ Rams Crown
Hampton



A 1" x 3 - 1/2" Sides
Hampton



A Historic Sill Bottom
Hampton